

# Regina Sqaure



## Quickinfo

### GENERAL

Indoor Lighting-Pendant light  
 Pendant  
 IP20  
 TRIDONIC  
 100-240 V 50/60Hz  
 Bridgelux  
 Shinland  
 Die-casting aluminum

### COLOUR

White

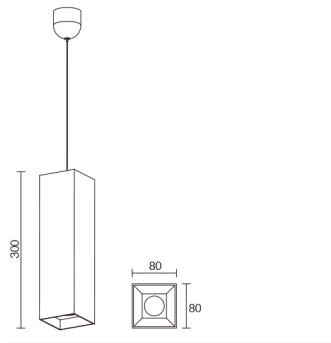
### PACKING

10 PCS / CTN  
 G.W. 14.60 kg  
 CTN size 520x435x300 mm



## DIMENSIONS

size in mm



Purchase Code	Luminaire Power [W]	Luminaire Lumen [lm]	Color Temperature [K]	Beam Angle [°]	CRI [Ra]
4101.008.035.3000.80	8	680	3000	35	>80

## ERP LABEL

**DOBAC LED** Regina Square

This luminaire contains built-in LED lamps

A++  
A+  
A  
B  
C  
D  
E

LED

The lamps cannot be changed in the luminaire

847/2012



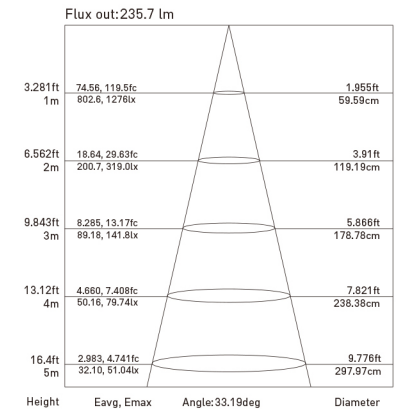
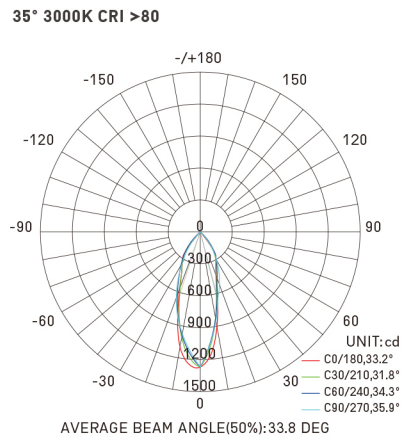
Sample image

# Regina Square



## Regina Round

4102.008.035.3000.80



Note: The Curves indicate the illuminated area and the average illumination when the luminaire is at different distance.

## REGINA FAMILY

Regina Square

Regina Round

### Regina Square



### Regina Round

